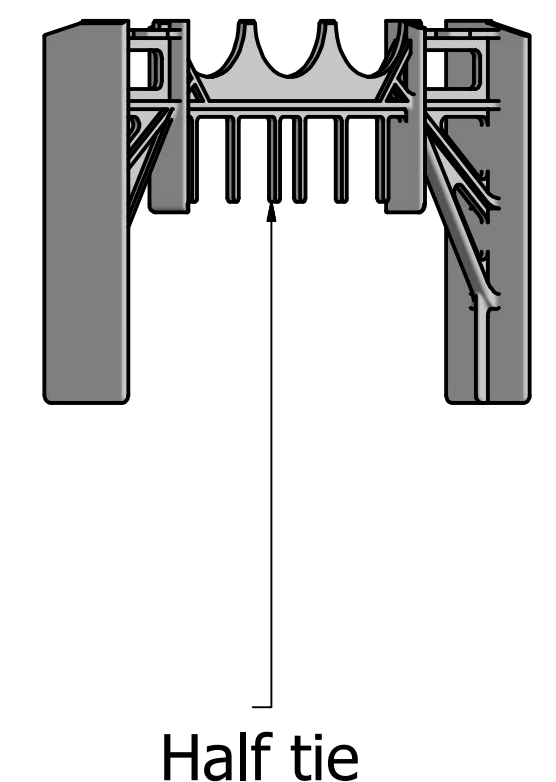
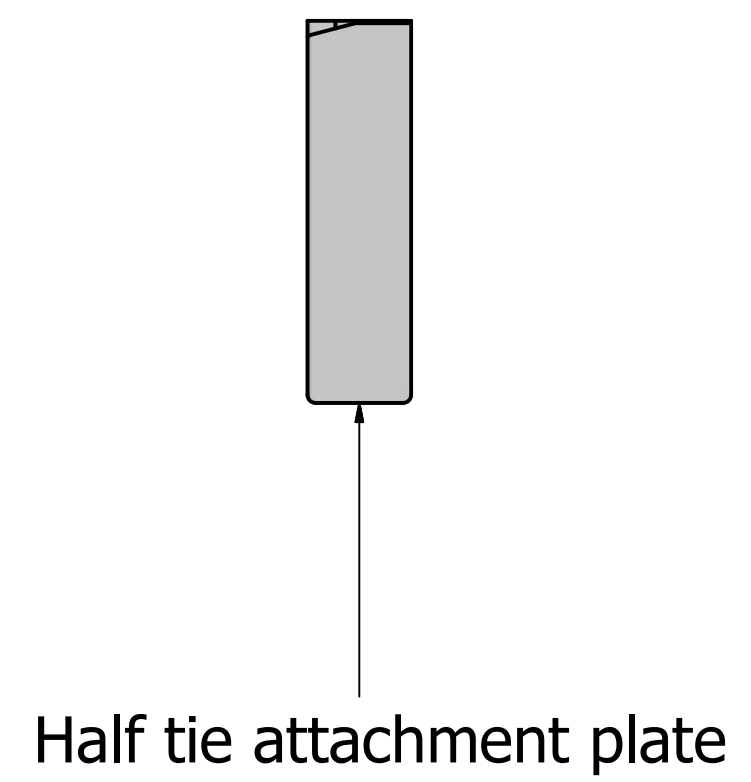
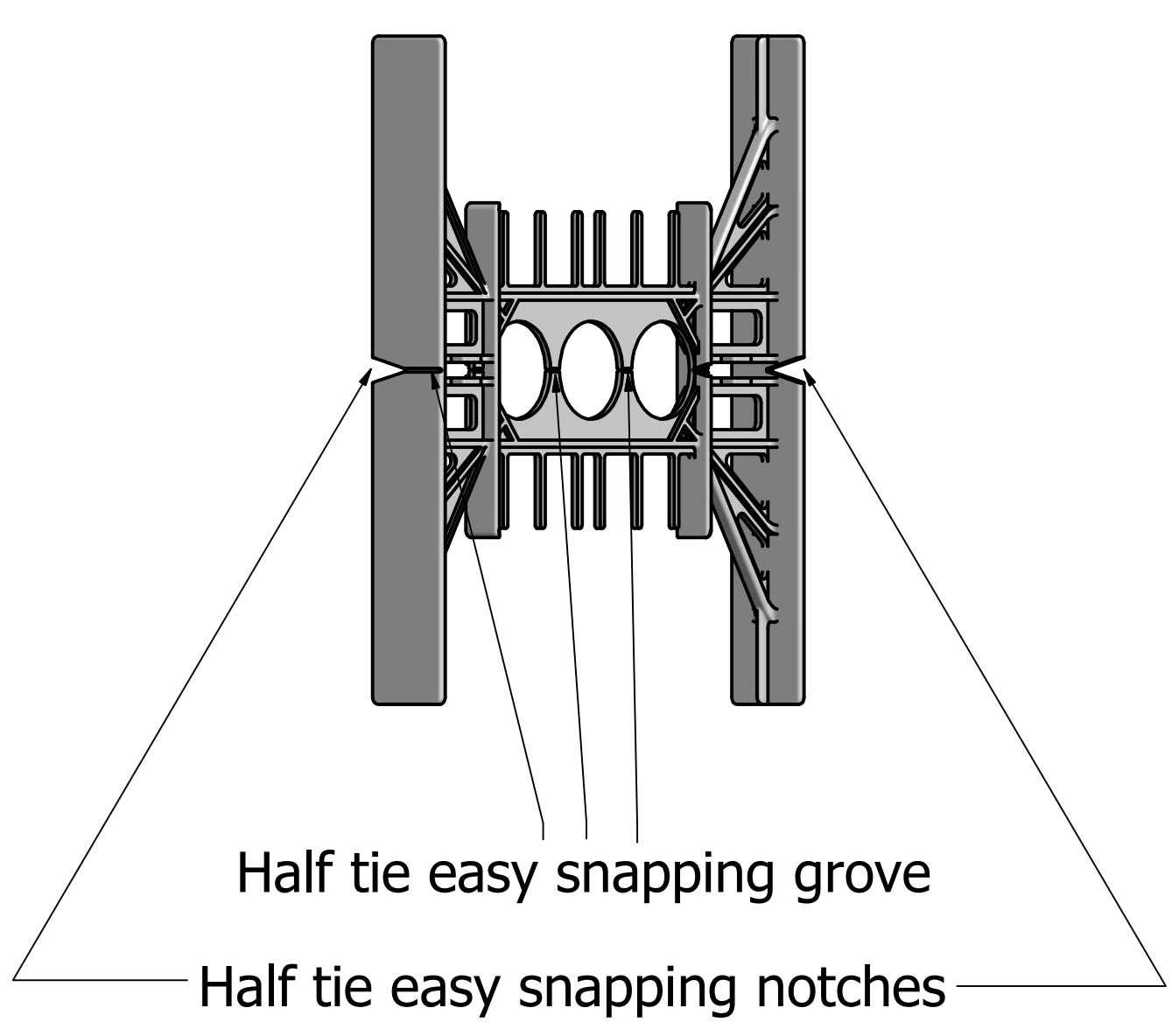
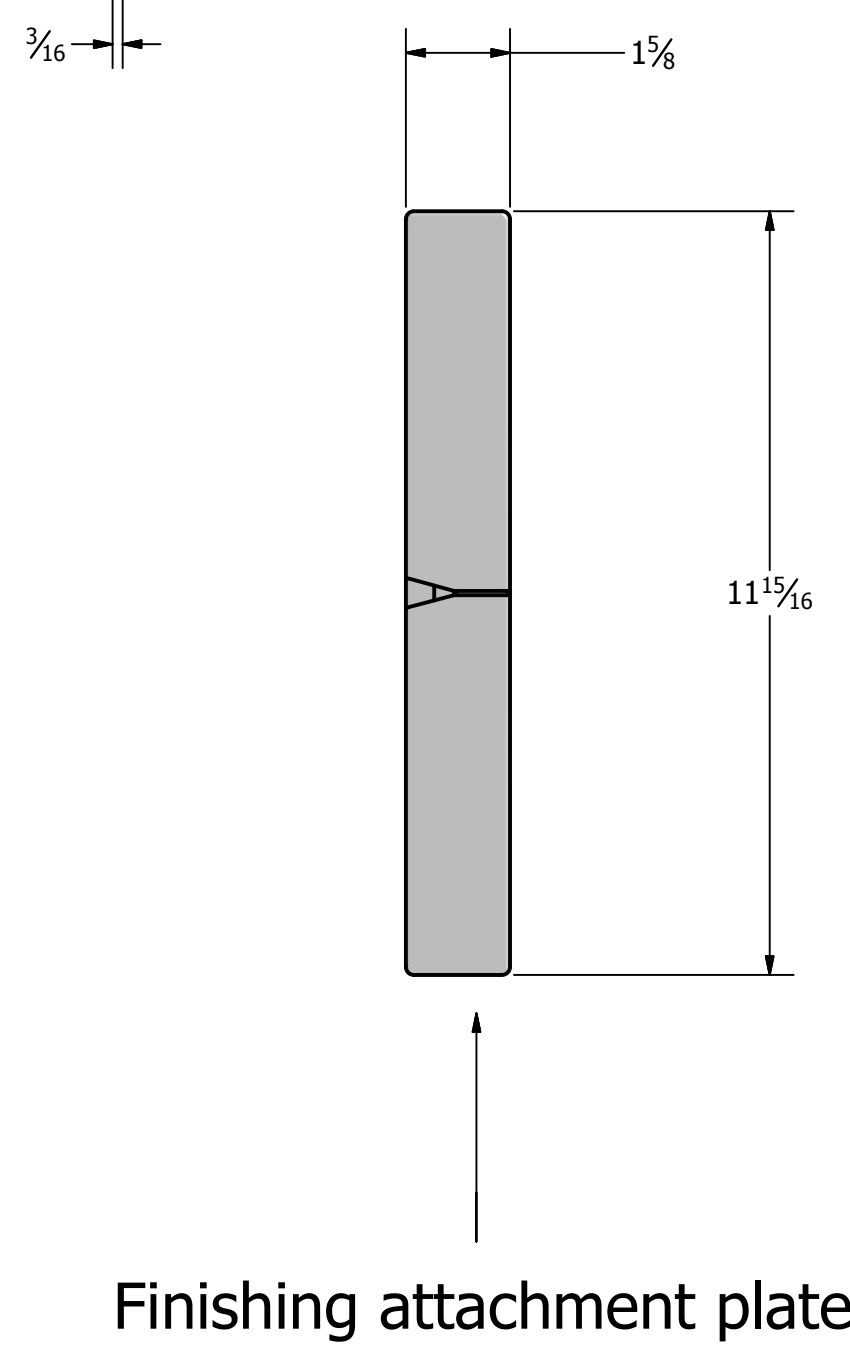
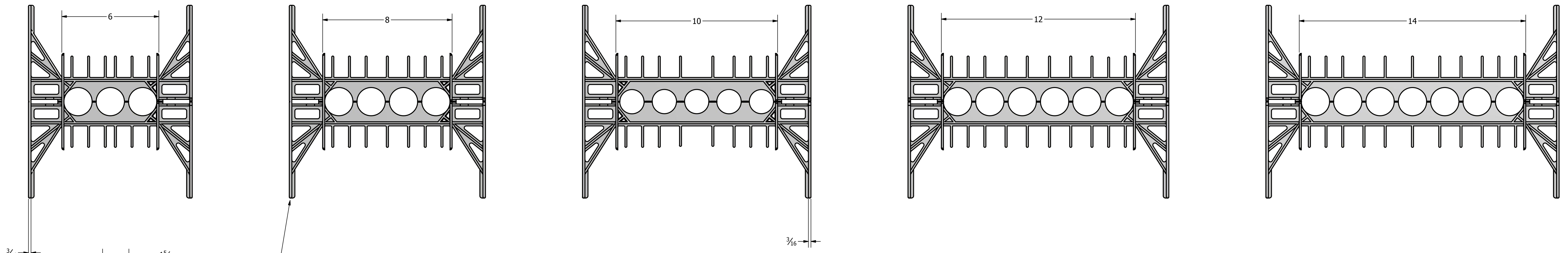
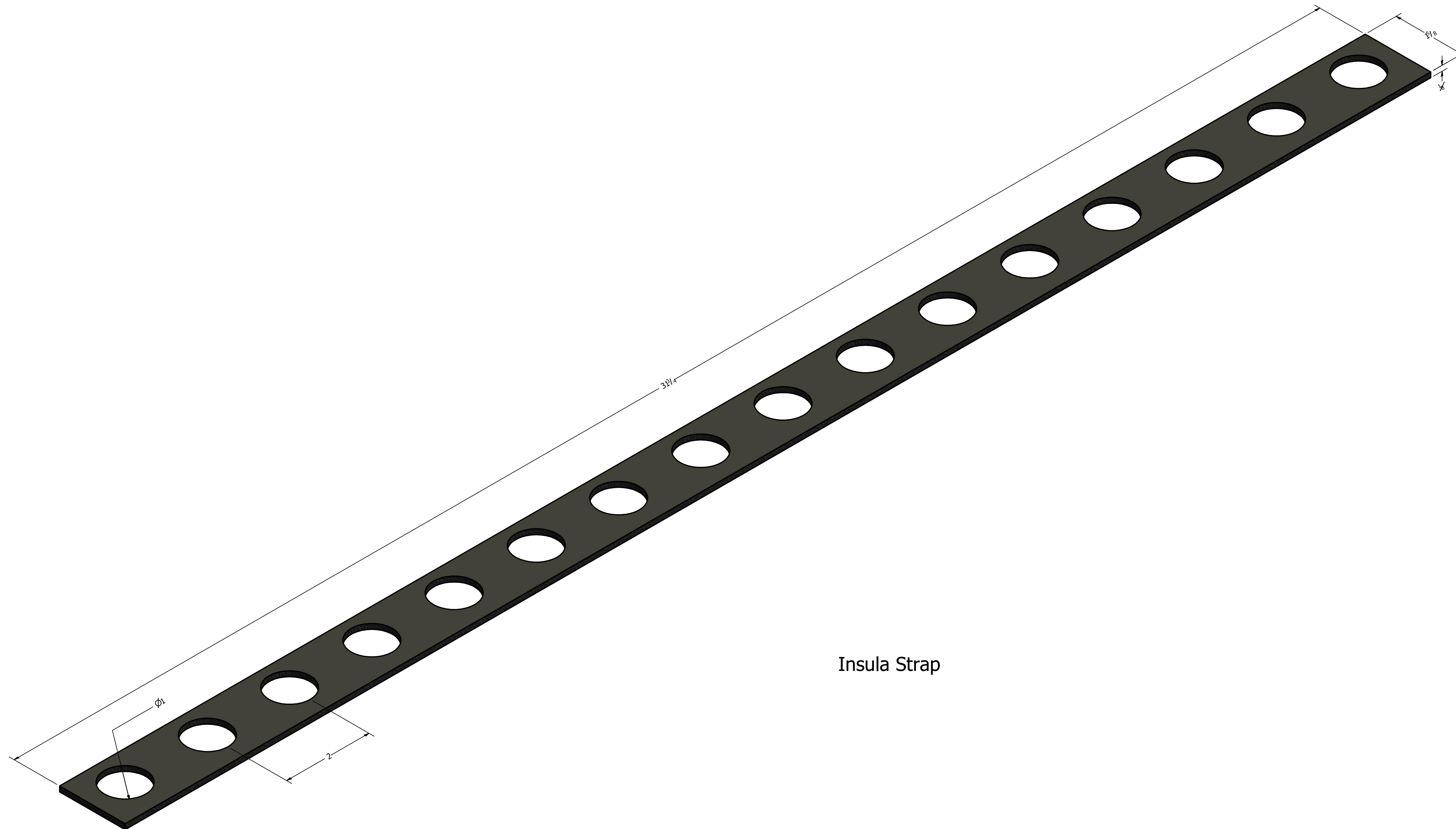


DRAWN IBS Inc.		Insula Building Systems Inc.		
CHECKED		TITLE		
QA		Insula Panel Specifications		
US PATENT 8,800,218 B2		SIZE	DWG NO	REV
OTHER PATENTS Pending World Wide		D	Panel	1.0
		SCALE		SHEET 1 OF 1



DRAWN IBS Inc.		Insula Building Systems Inc.		
CHECKED		TITLE		
QA		Insula Tie Specifications		
US PATENT 8,800,218 B2		SIZE	DWG NO	REV
OTHER PATENTS Pending World Wide		D	Tie	1.0
		SCALE	SHEET 1 OF 1	



Insula Strap

DRAWN IBS Inc.		Insula Building Systems Inc.		
CHECKED		TITLE		
QA		Insula Strap Specifications		
US PATENT 8,800,218 B2		SIZE	DWG NO	REV
OTHER PATENTS Pending World Wide		D	Strap specs	1.0
		SCALE		SHEET 1 OF 1